



Reconfigurable walls with independent finishes

Where light blends into the shades

The unique shape of the structural uprights posts characterizes the T200 architectural wall and makes it unique in its kind by allowing the snap-in insertion of the finishing elements, whether solid or glazed. The range includes solid or glazed modules in a vertical or horizontal composition. The T200 allows the use of all types of architectural glass.

Sandwich-type walls with independent finishing panels

Premium quality anodised aluminum structure with integrated sound seals.

Panels up to 2.75 m (9'-0") wide in horizontal configuration

Wall up to 6m (20'-0") high

Removable and reconfigurable

Installation without silicone and possibility of self-standing installation

Can be lengthened or reduced during reconfiguration

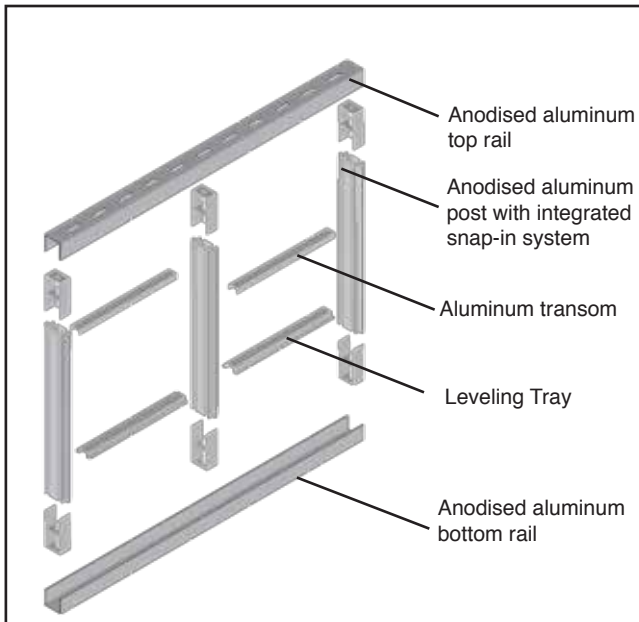
Ability to achieve an acoustic efficiency of STC 50

Can accommodate electricity, wiring and plumbing

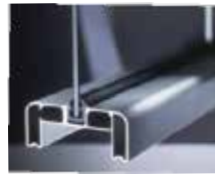
Recyclable and reusable



Structure



Snap-in frames



T210



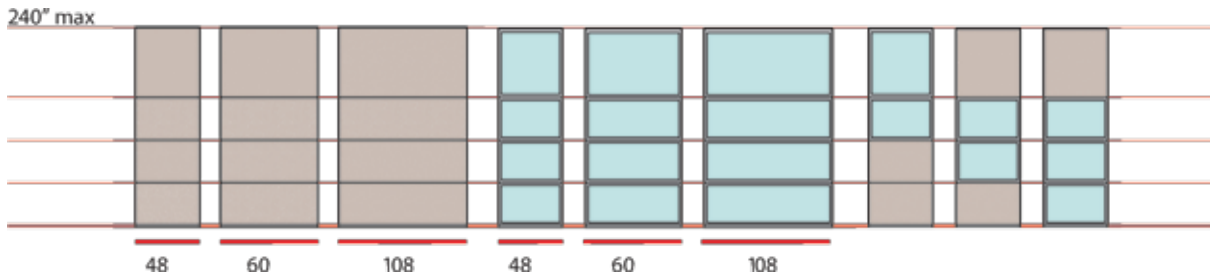
T230



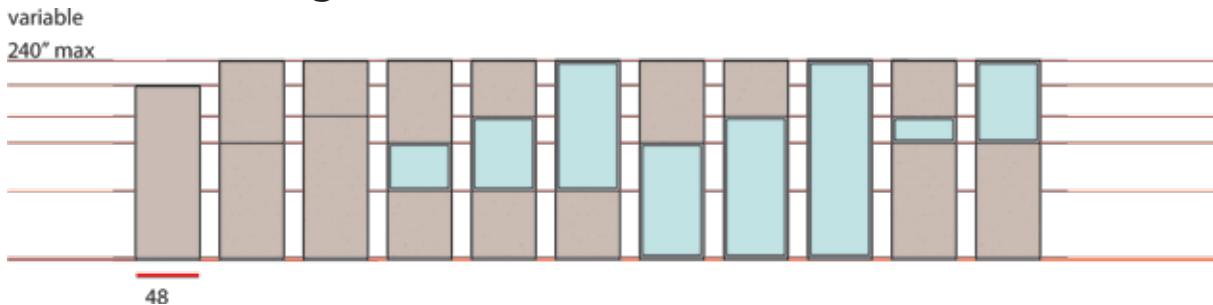
T240

Installs virtually without tools
Produces very little construction waste
Minimizes disruption time for your employees

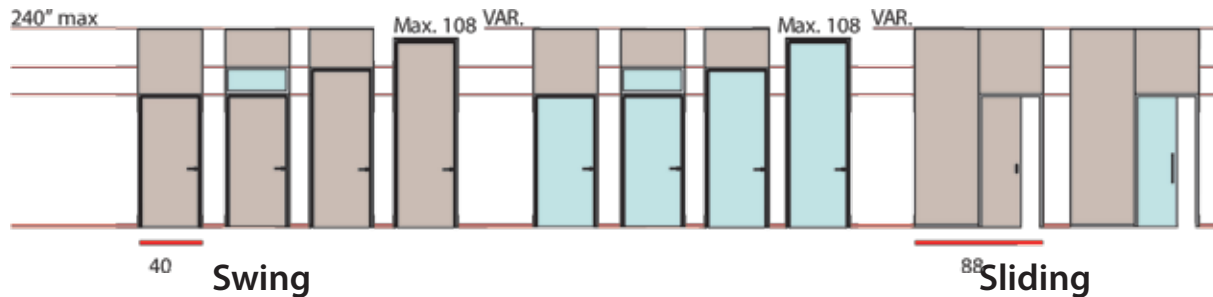
Vertical configuration



Horizontal configuration



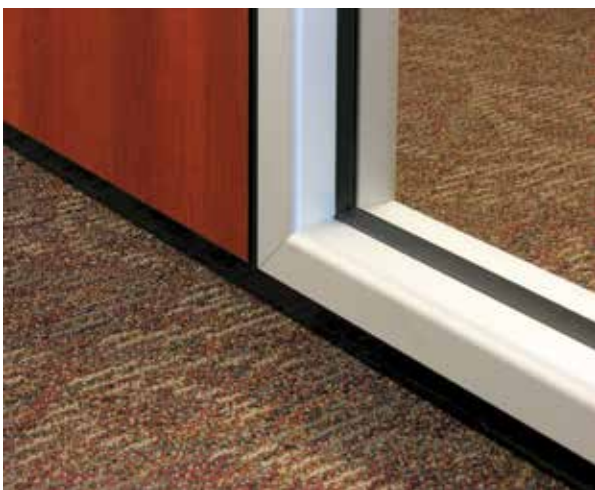
Doors



T210 Removable wall with single glass



Installs directly on floor and under finished ceiling, virtually without tools, minimizing the cost of floor and ceiling coverings installation and limiting user inconvenience



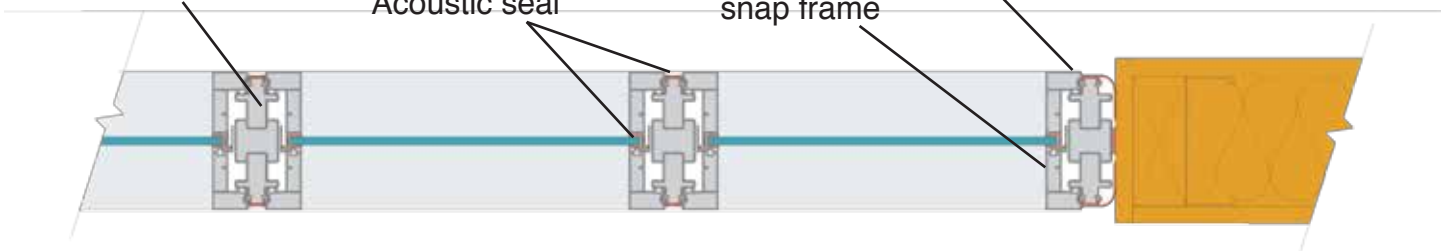
T210 Removable wall with single glass

Aluminum post or transom with integrated snap-in system

Acoustic seal

Decorative snap frame

Snap-in frame for single 6 mm (1/4") glass



Plan

Top rail with adjustment spring

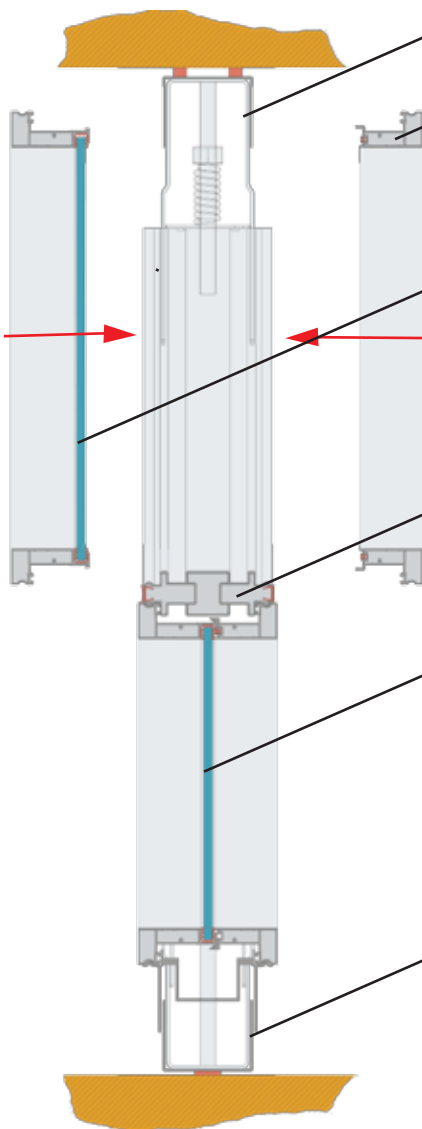
Decorative snap frame

Snap-in frame for single 6 mm (1/4") glass

Aluminum post or transom with integrated snap-in system

Tempered or laminated 6 mm (1/4") pre-framed glass

Bottom rail with leveling system

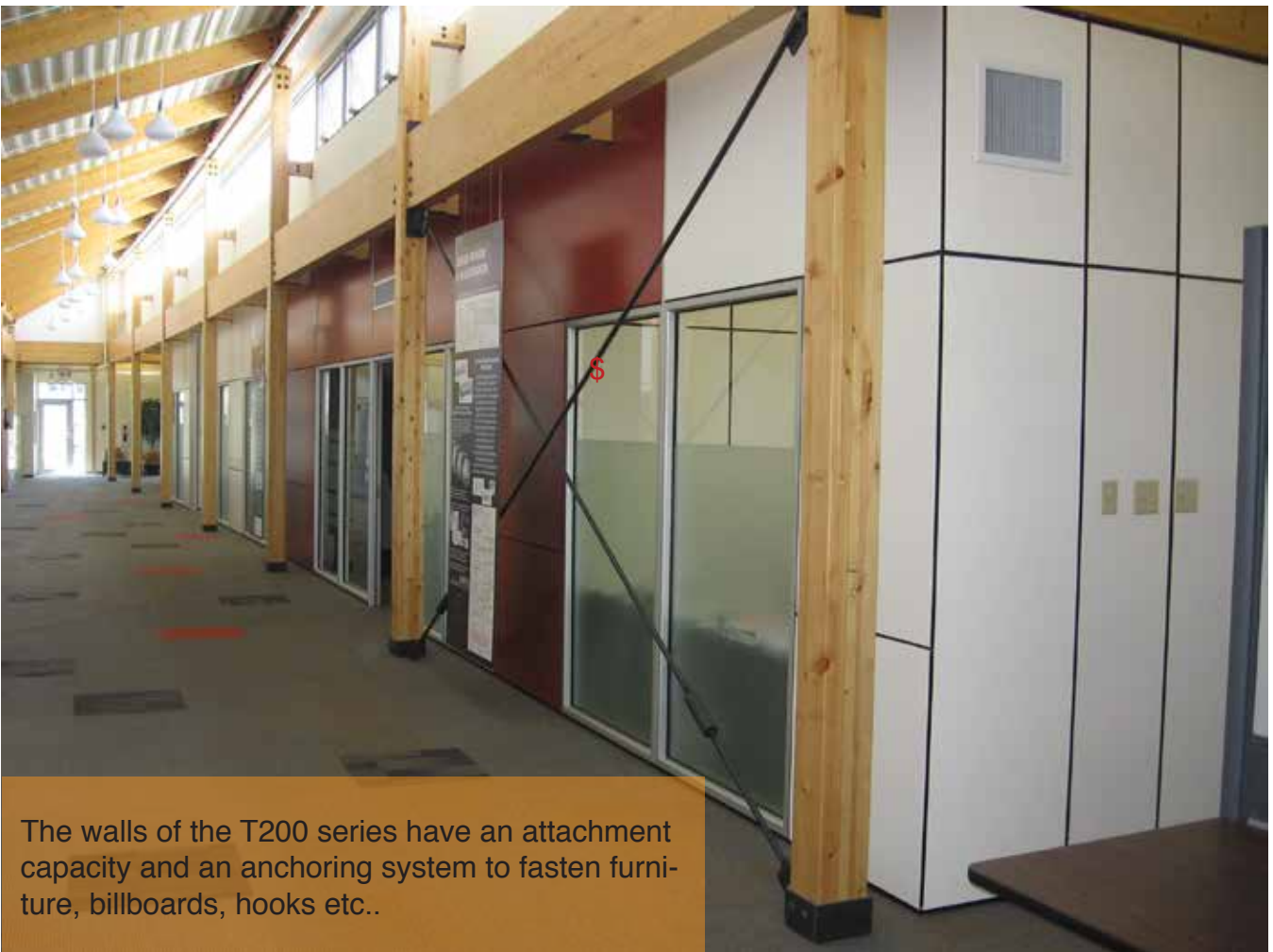


Section

T220 Double solid panel removable wall



Sound Transmission Class (STC) of 40 with two 12 mm (½ ") melamine panels. STC 47 can be achieved by adding a rock wool board into the cavity between melamine panels. Replacing melamine panels with acoustic panels can achieve STC 50.



The walls of the T200 series have an attachment capacity and an anchoring system to fasten furniture, billboards, hooks etc..

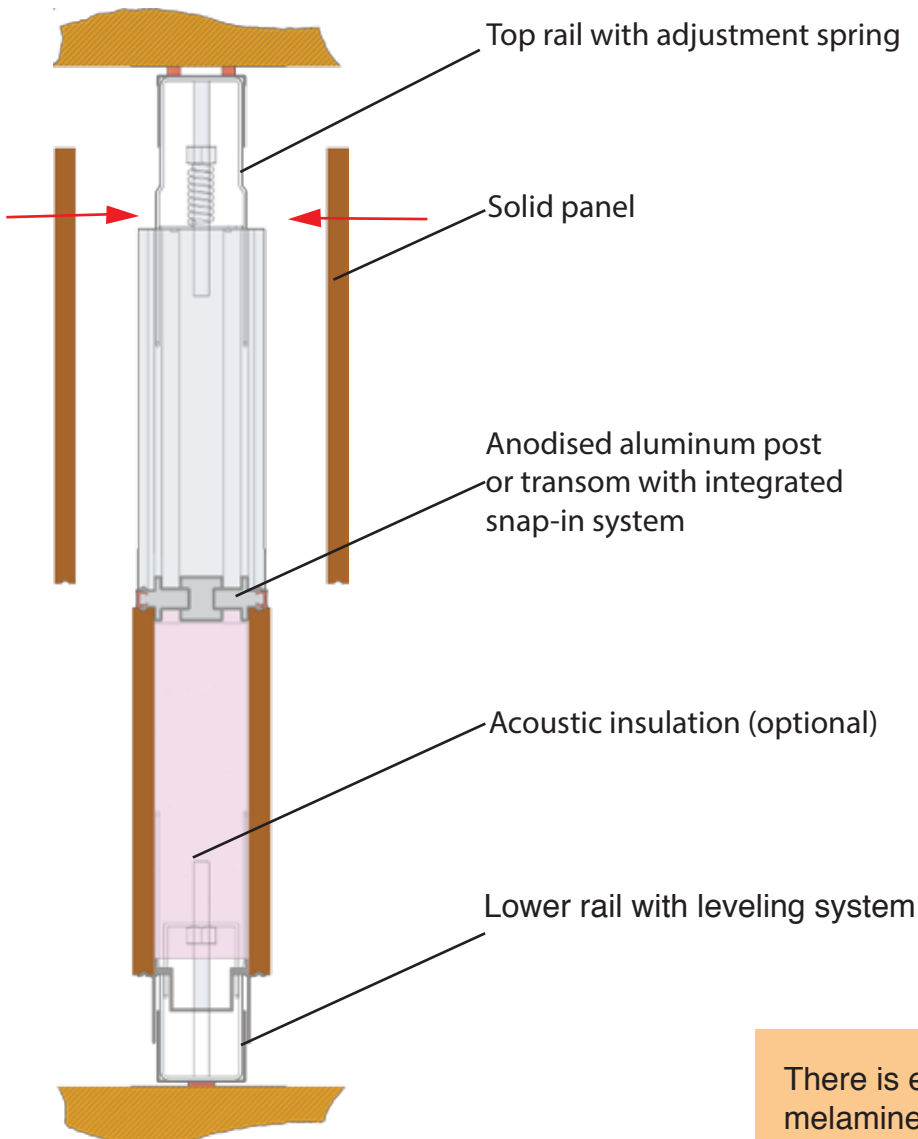
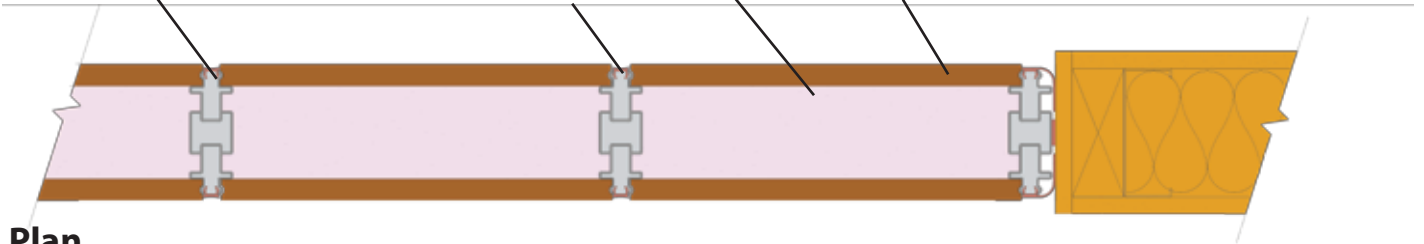
T220 Double solid panel removable wall

Aluminum post or transom with integrated snap-in system

Acoustic insulation (optional)

Acoustic seal

Solid panel



There is enough space between the two melamine walls to pass electricity and network wiring in 2 different cavities

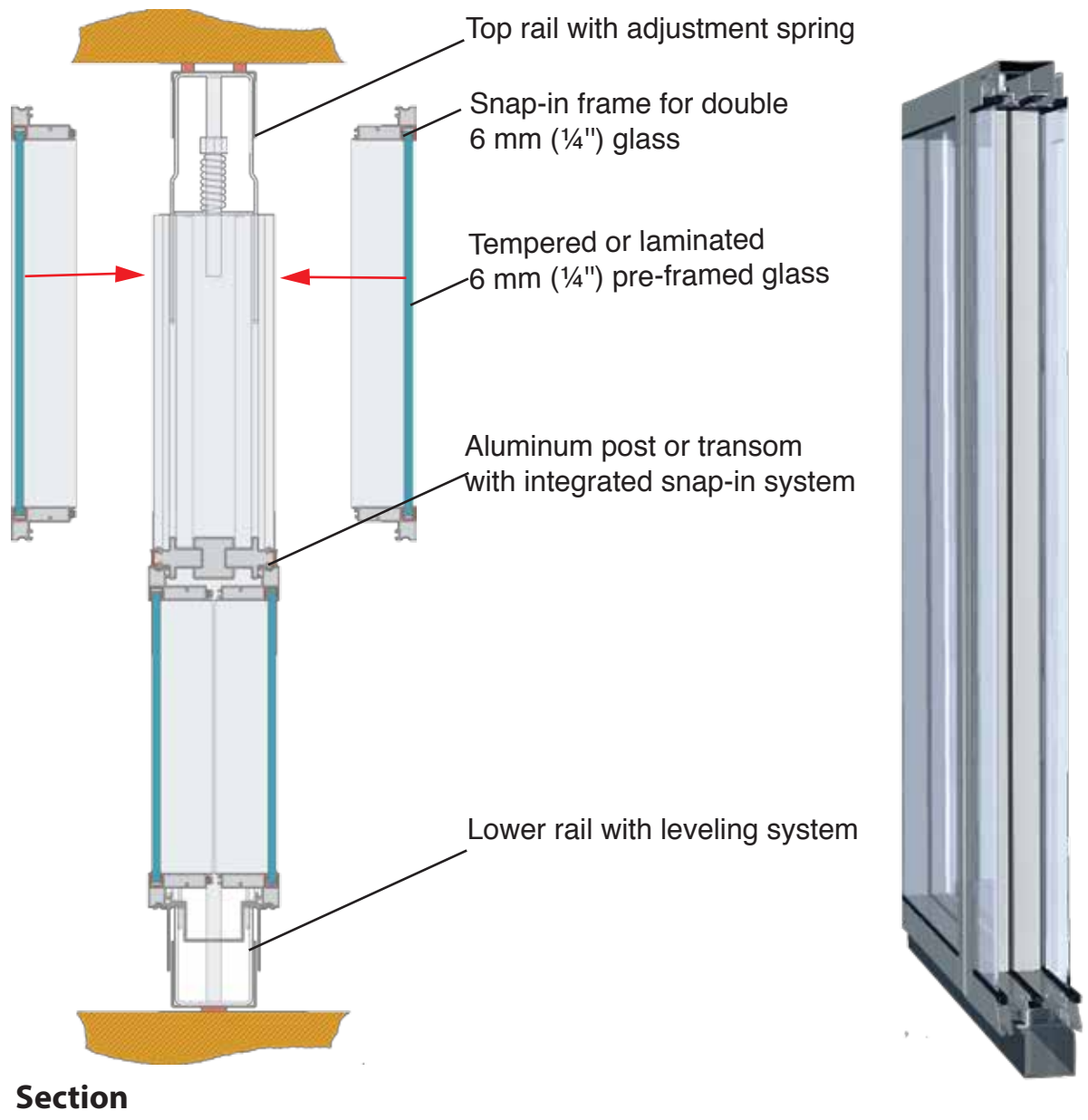
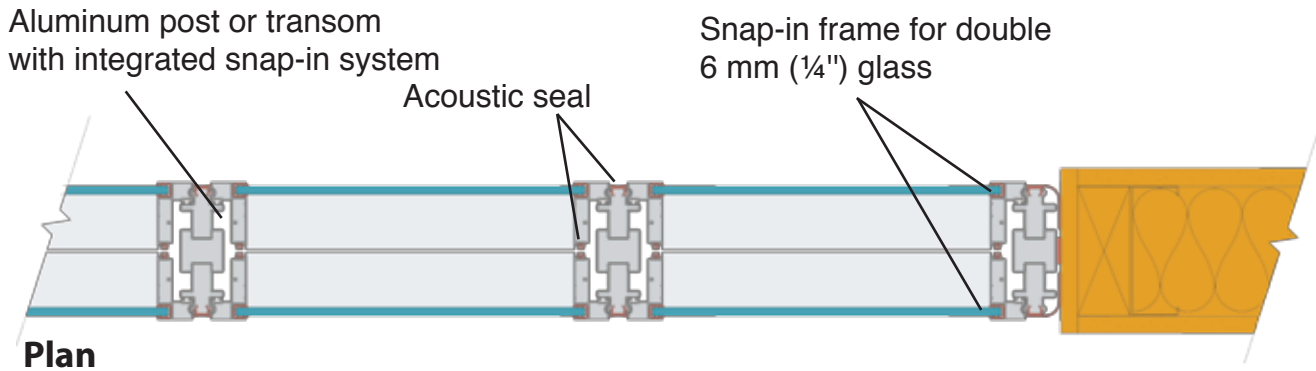
T230 Removable double glass wall 6 mm (1/4")



Sound transmission class (STC) of 44 with 2x 6 mm (1/4") laminated glass and 41 with 2x 6 mm (1/4") tempered glass



T230 Removable double glass wall 6 mm (1/4")



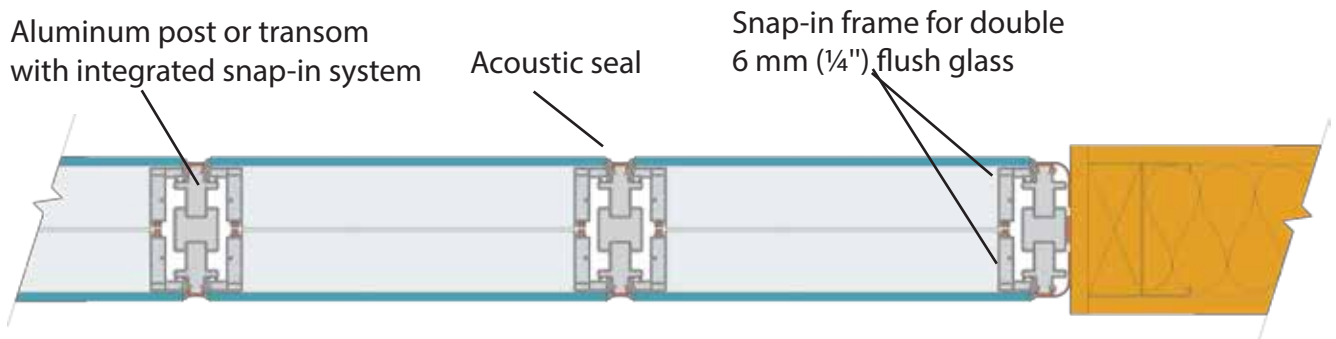
T240 Removable wall with 6 mm (1/4") flush glass



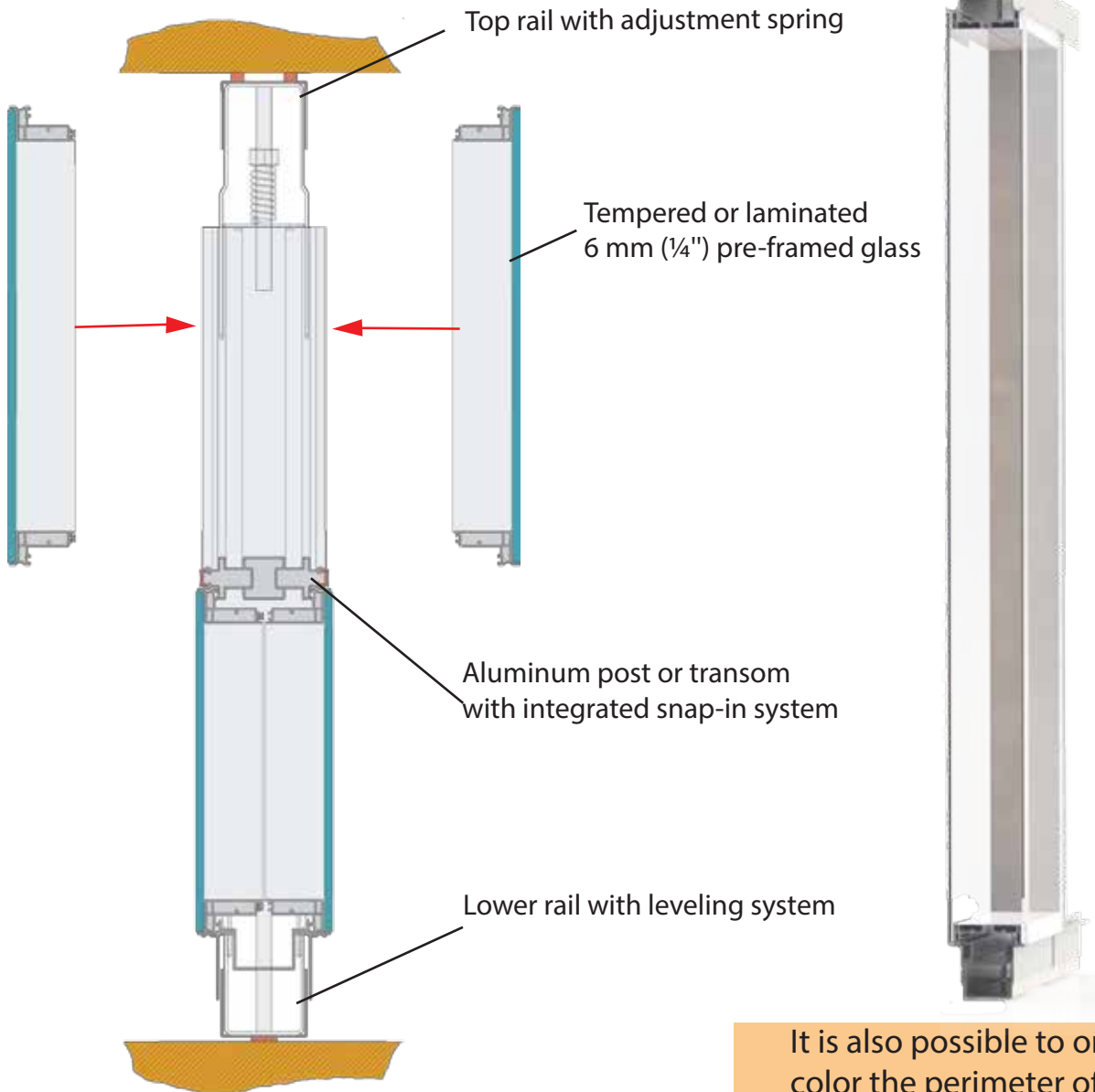
Sound transmission class (STC) of 44 with 2x 6 mm (1/4") laminated glass and 41 with 2x 6 mm (1/4") tempered glass



T240 Removable wall with 6 mm (1/4") flush glass



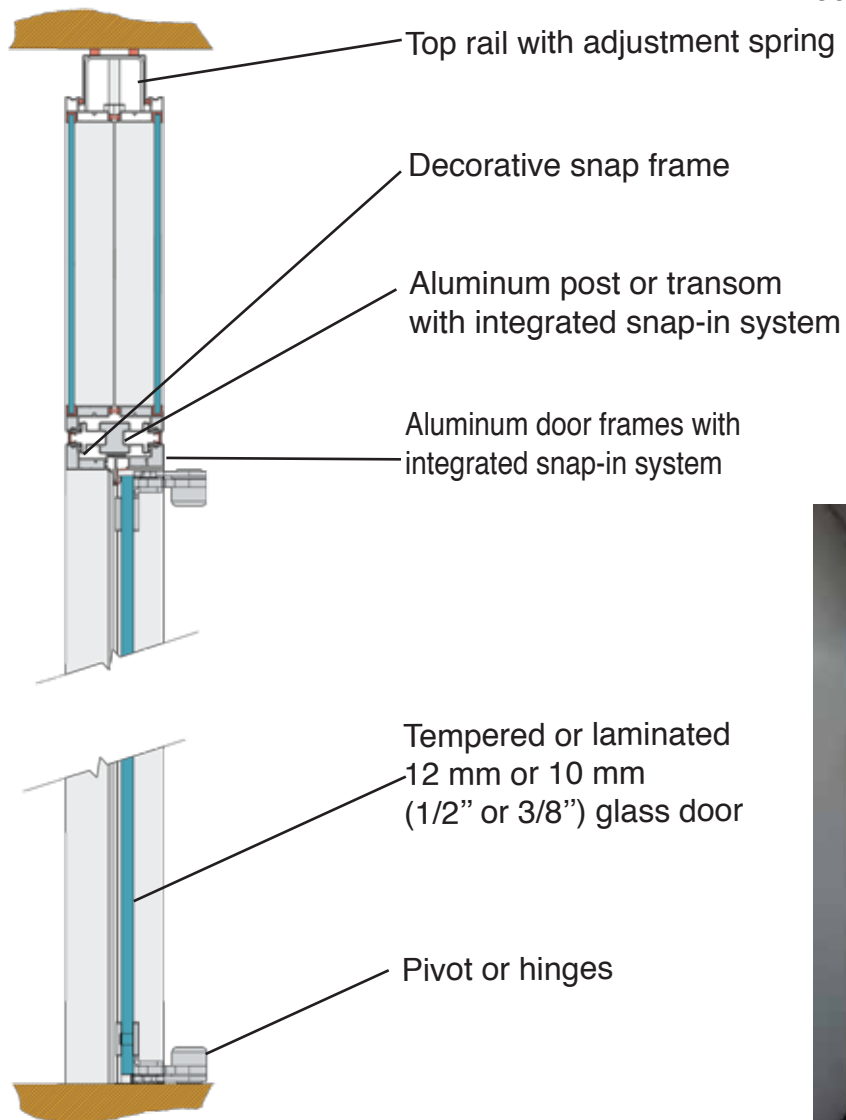
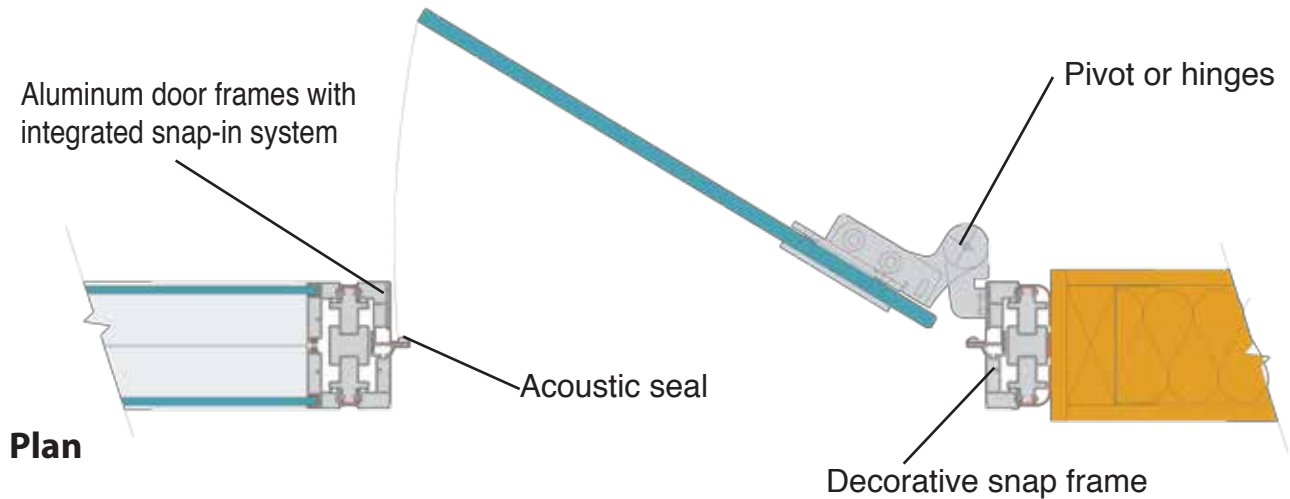
Plan



Section

It is also possible to only color the perimeter of the glass.

T200 Swing door



Section



T200 Barn style sliding door

