



## Single-pane reconfigurable glass walls

The TechniWall T100 system is a new generation of architectural walls that maximizes the use of glass. Designed to divide seamlessly. It offers pure and classic lines thanks to the use of glass and aluminum. This avant-garde system with its adjustable ceiling rail, adjustable floor rail and no vertical structure provides total freedom to build a unique, contemporary and versatile environment.

Can reach an STI of up to 38 if using a 12mm (1/2 ") laminated glass

**The least number of components**  
Premium quality anodised aluminum structure with integrated sound seals.

**Independent modules**  
up to 1.52 m (5'-0") wide by 3.66 m (5'-0") high.

**Adjustable**  
up to 25 mm (1") in width and 50 mm (2") in height.

**Removable**  
installation without silicone and possibility of self-standing installation.



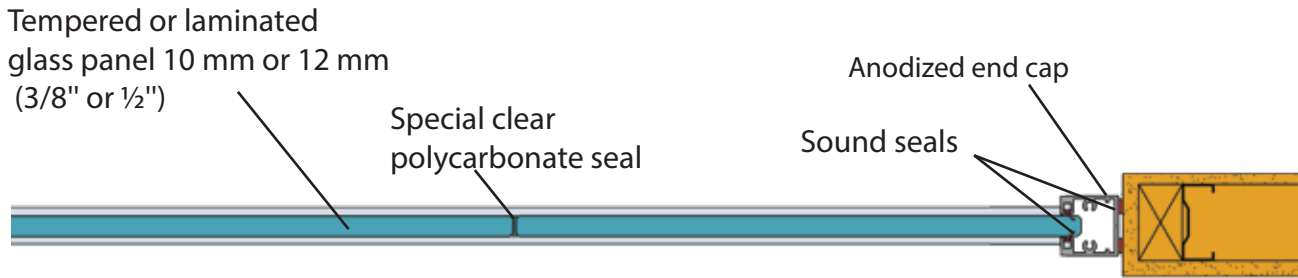
# T100 Clear polycarbonate seals



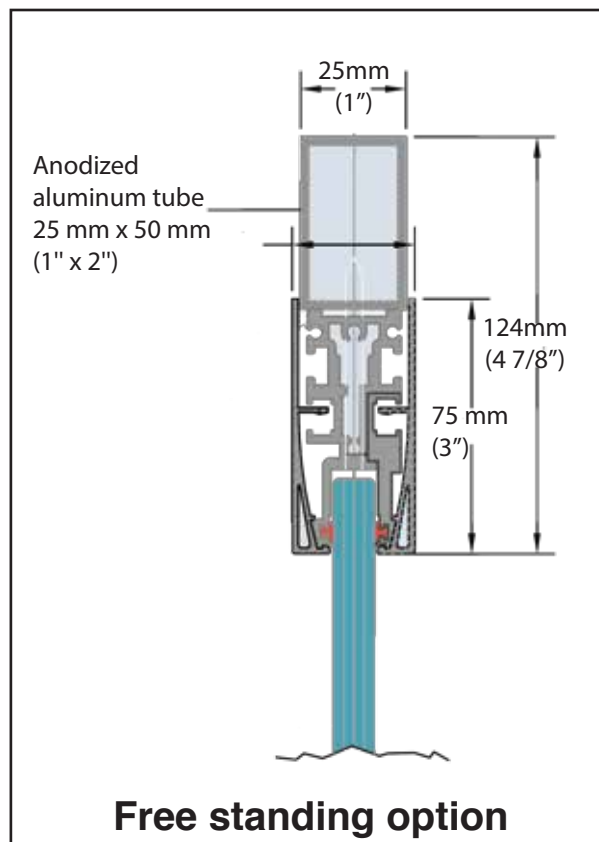
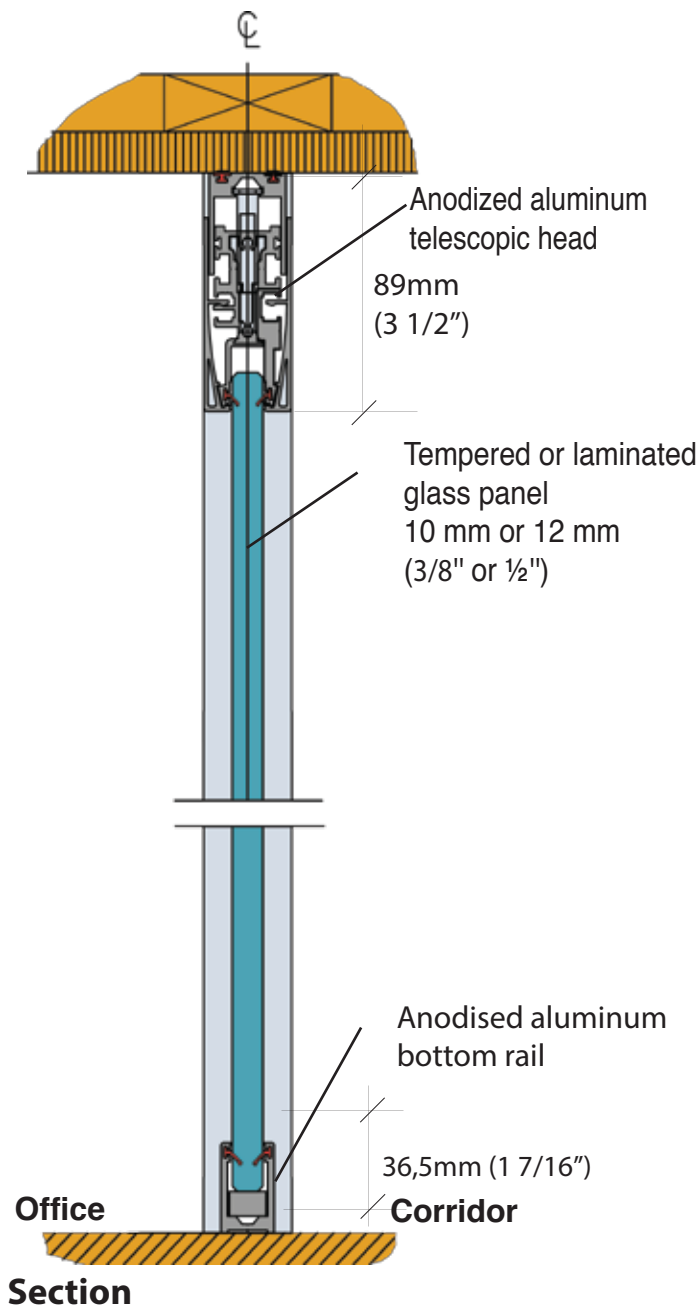
Always straight!  
Never yellowing



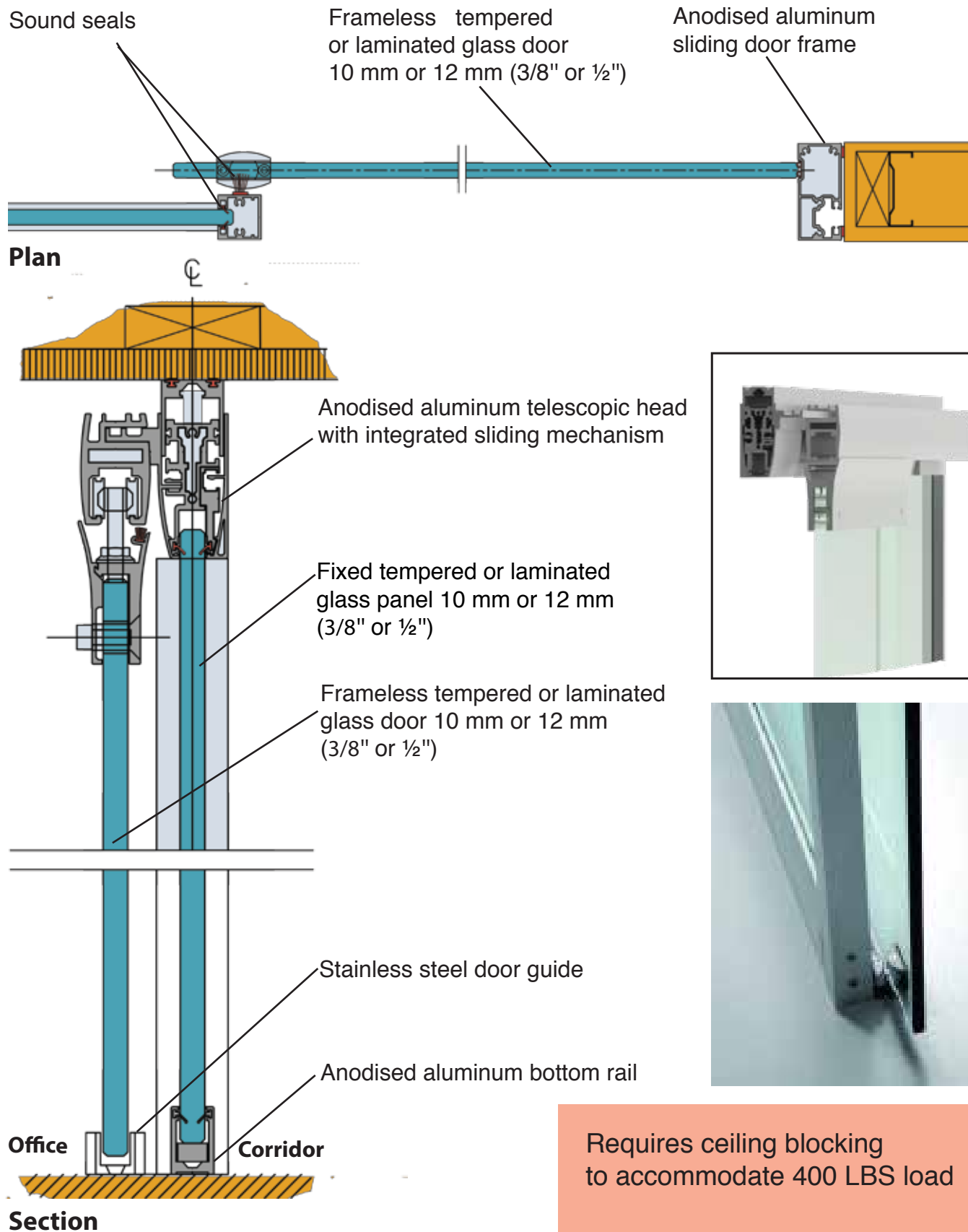
# T100 Typical wall



## Plan



# T100 Sliding door



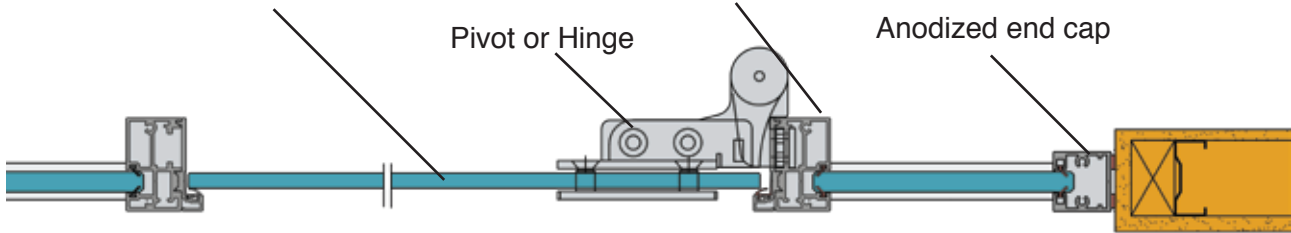
# T100 Swing door with frame (for glass door or solid door)

Frameless tempered or laminated glass door 10 mm or 12 mm (3/8" or 1/2") or solid door

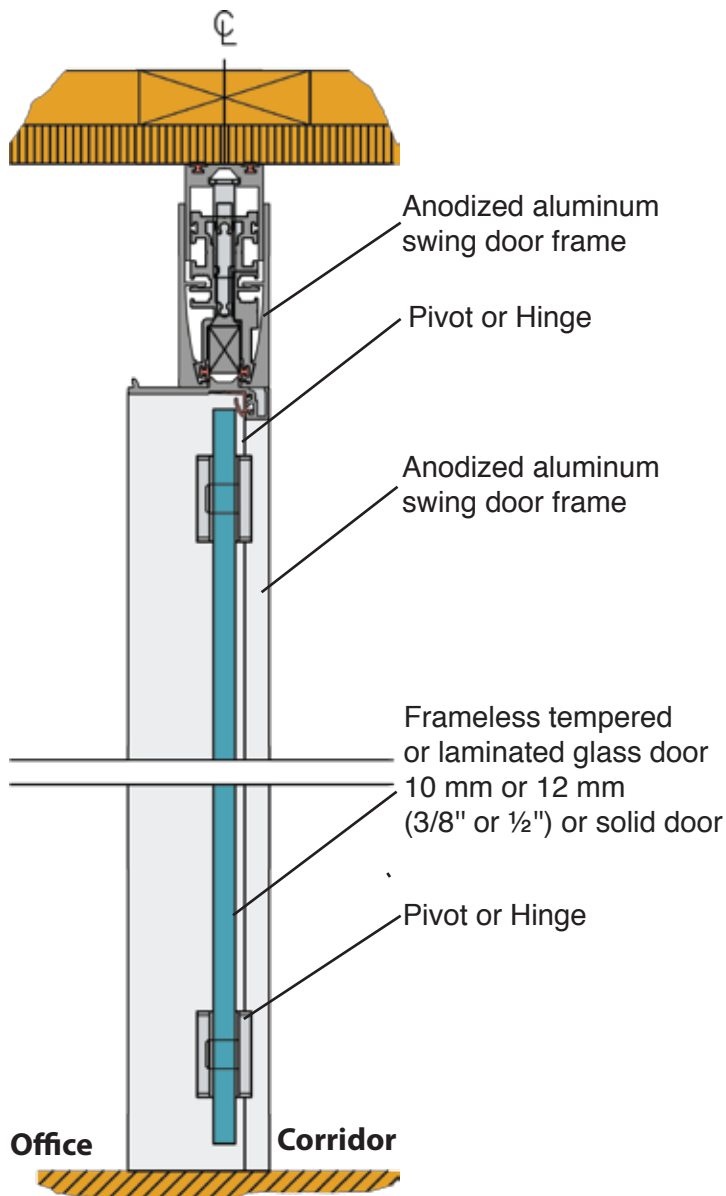
Anodized aluminum swing door frame

Pivot or Hinge

Anodized end cap



## Plan



## Section

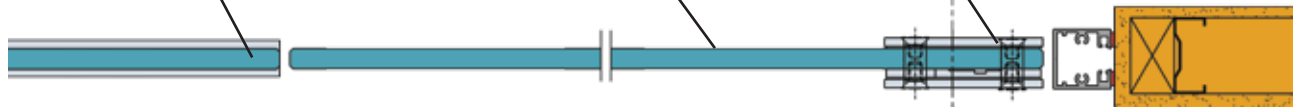


# T100 Frameless swing door

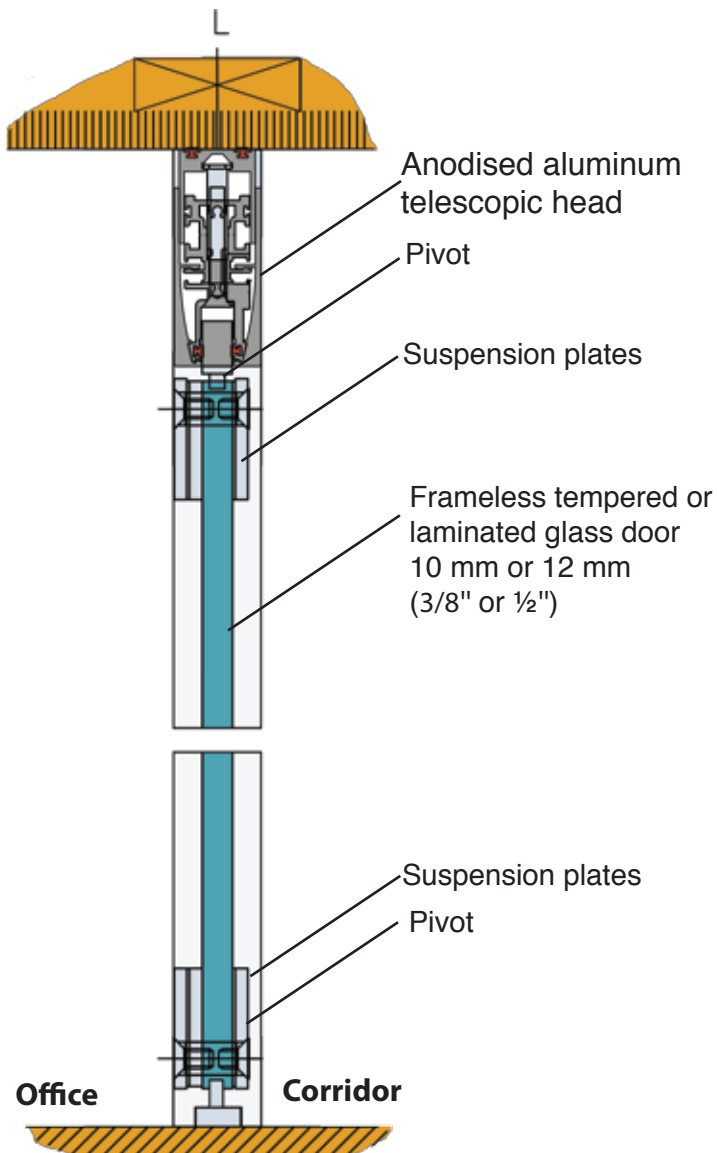
Tempered or laminated glass pannel 10 mm or 12 mm (3/8" or 1/2")

Pivot and suspension plates

Frameless tempered or laminated glass door 10 mm or 12 mm (3/8" or 1/2")



Plan



Section

